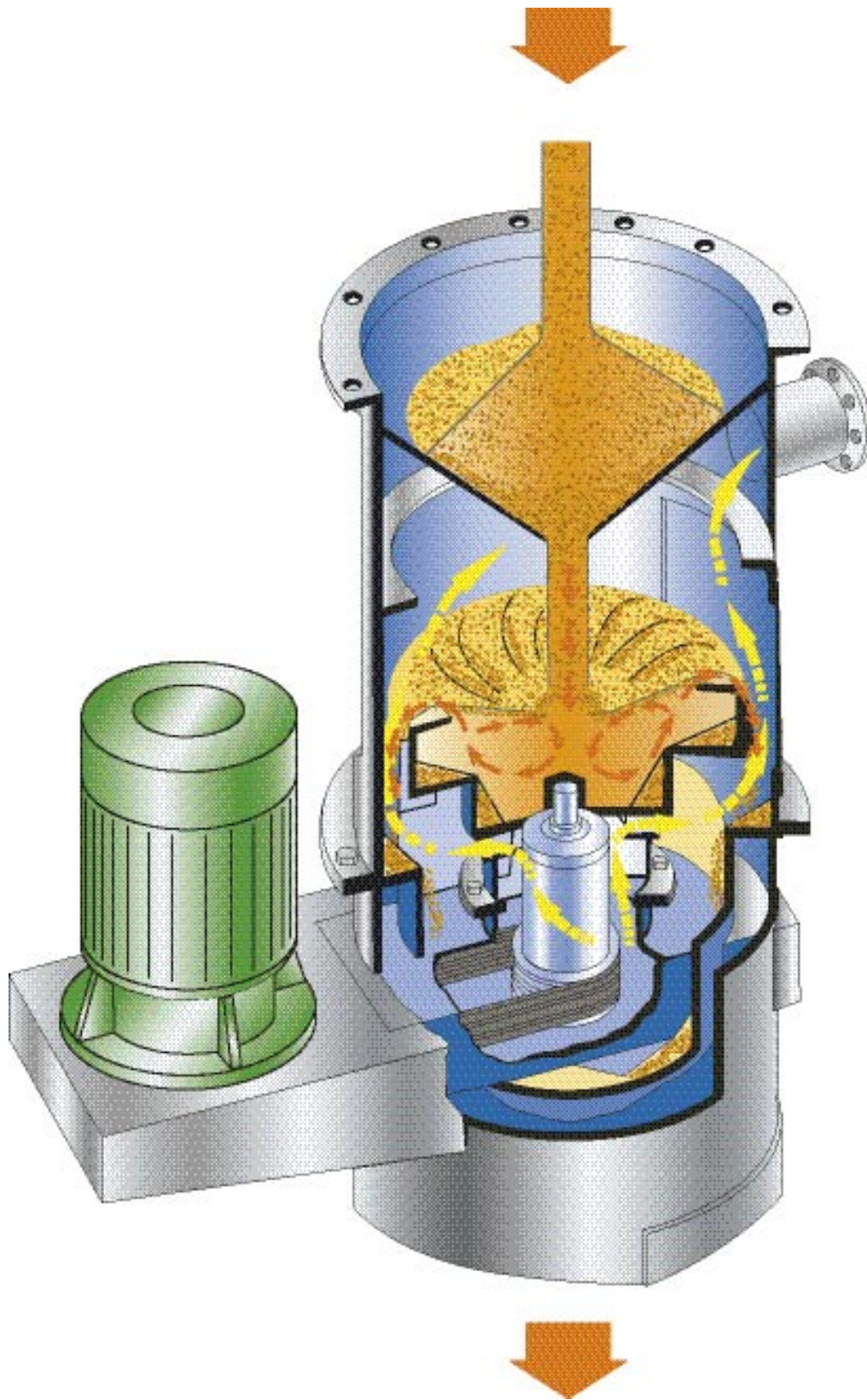
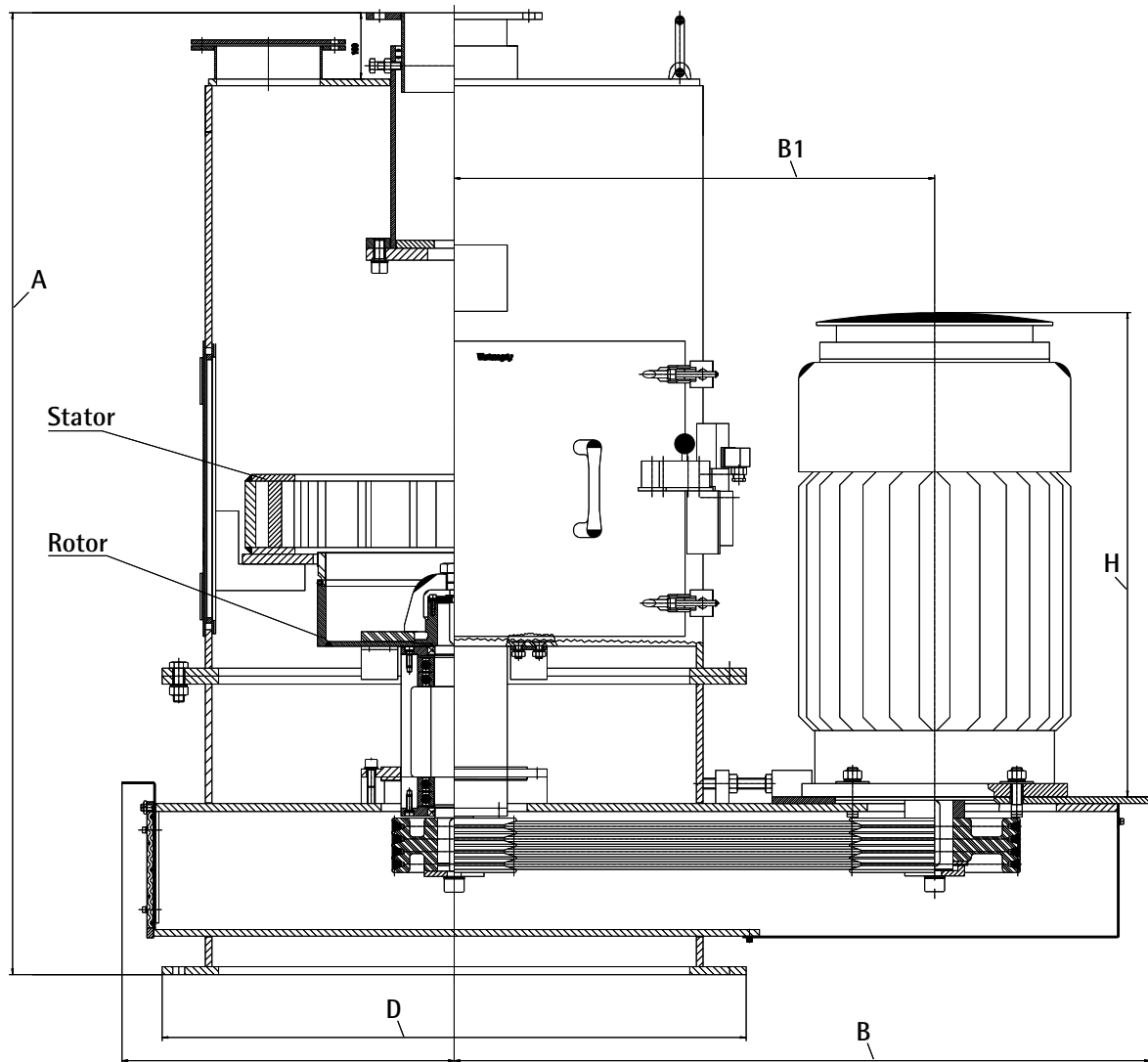


Centrifugal Cleaner FR



Centrifugal Cleaner FR



| | A | D | B | B1 | H | Capacity | Drive | Extracted air volume |
|------------|------|-----|------|-----|-----|----------|-------|--------------------------|
| Type FR 10 | 1450 | 500 | 1050 | 710 | 730 | 10 t/h | 2 kW | 20 Nm ³ /min. |

The centrifugal cleaner removes crusts sticking to the dry surface of the sand grain by rubbing the sand grains against each other. During this process the grain structure is smoothed.

From a rotary drum, the continuously supplied sand stream is moved upwards against the sand layer inside the stator ring, thus creating friction.

A continuous air stream through the sand has a pre-dusting effect.

Several units can be installed in one frame and be connected to a common dedusting unit.

The degree of cleaning is controlled by the number of installed units and the number of circulations of sand.

The centrifugal cleaner is suitable for all sand systems. Its design is compact. Inspection and maintenance are carried out through an inspection door at the front side.



KLEIN Anlagenbau AG
 Konrad-Adenauer-Straße 200
 D-57572 Niederfischbach
 Phone ++ 49 27 34 / 5 01-3 01
 Fax ++ 49 27 34 / 5 01-3 27
 e-mail: info@klein-ag.de
<http://www.klein-ag.de>